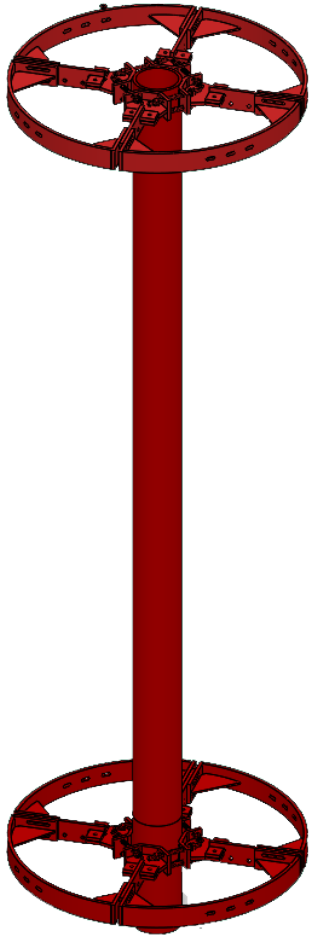


THE RAPTOR **RADOME**

INSTALLATION GUIDE

Users are advised to use this product strictly as intended by the manufacturer. Allfasteners disclaims all liability for any injury or damage resulting from the incorrect installation or use of this product. By using this product, users agree to hold Allfasteners harmless against any such claims.

INSTALLATION INSTRUCTIONS



- Remove all existing canister panels.
- Confirm there is a minimum of six (6) 3/8" bolt holes on each bulkhead.
- Confirm bulkhead diameter and center-to-center dimensions.



959 LAKE ROAD MEDINA, OHIO 44256
P (440) 232-6060 F (440) 232-6062
www.allfasteners.com

RAPTOR RADOME INSTALLATION INSTRUCTIONS

PART NUMBER:	14RR
ITEM NAME:	RAPTOR RADOME CONCEALMENT CANISTER

Users are advised to use this product strictly as intended by the manufacturer. Allfasteners disclaims all liability for any injury or damage resulting from the incorrect installation or use of this product. By using this product, users agree to hold Allfasteners harmless against any such claims.

INSTALLATION INSTRUCTIONS

- Each Raptor Radome door has a lower mounting frame - MF1 - and an upper mounting frame - MF2.
- Do not fully remove the stainless steel bolt on the frame.

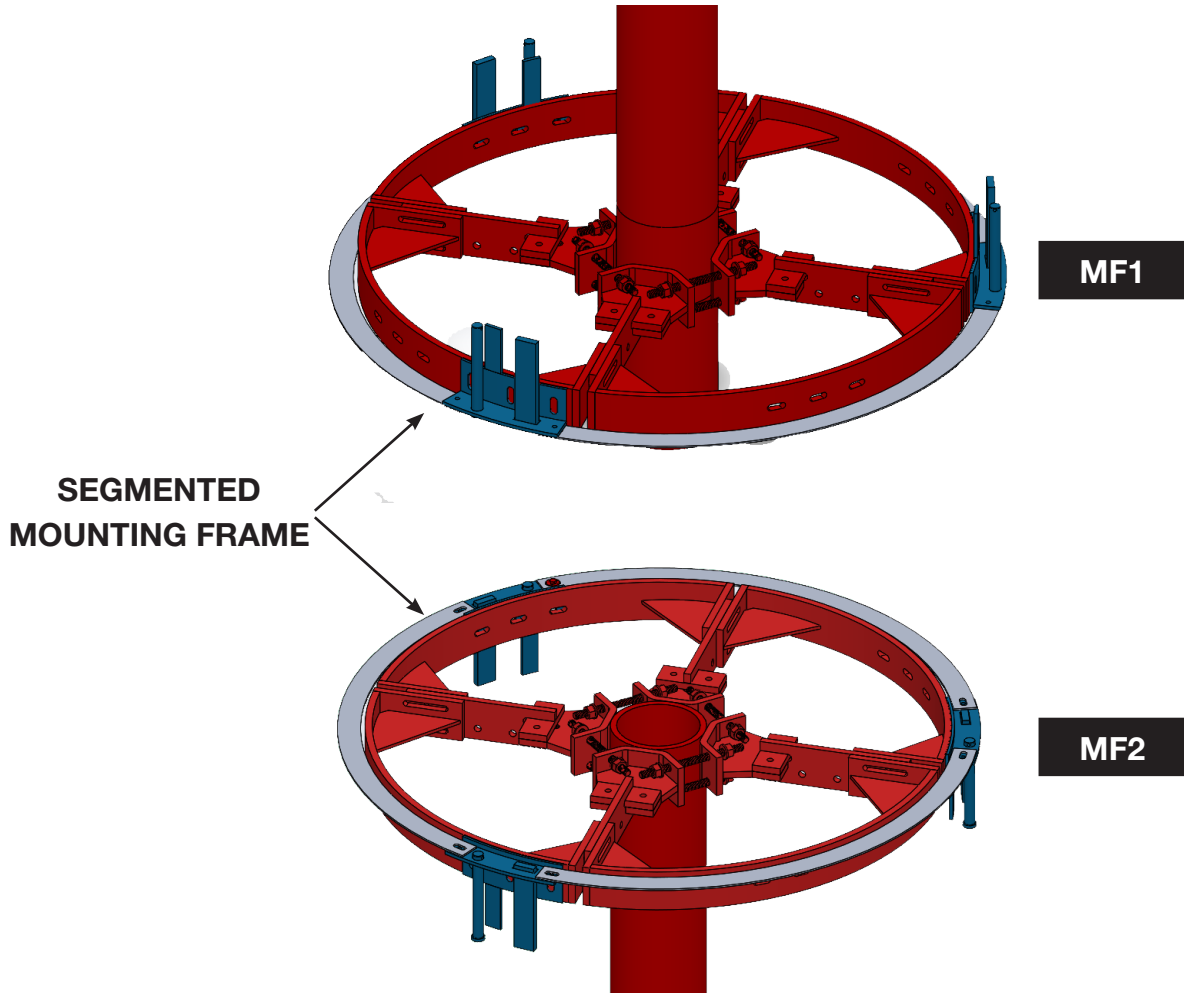


PHOTO NOTES:

MF1 has fixed (welded) hinge pins & the hold open arm.
 MF2 has a hole only (hinge pins shipped loose).

ALLFASTENERS 
 959 LAKE ROAD MEDINA, OHIO 44256
 P (440) 232-6060 F (440) 232-6062
 www.allfasteners.com

RAPTOR RADOME INSTALLATION INSTRUCTIONS	
PART NUMBER:	14RR
ITEM NAME:	RAPTOR RADOME CONCEALMENT CANISTER

Users are advised to use this product strictly as intended by the manufacturer. Allfasteners disclaims all liability for any injury or damage resulting from the incorrect installation or use of this product. By using this product, users agree to hold Allfasteners harmless against any such claims.

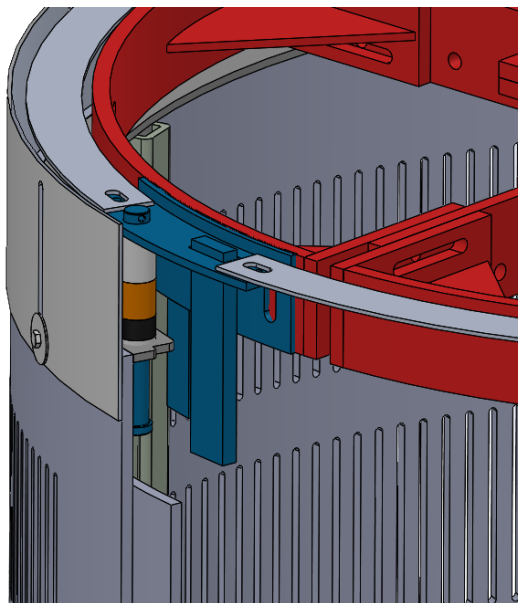
INSTALLATION INSTRUCTIONS

NOTE

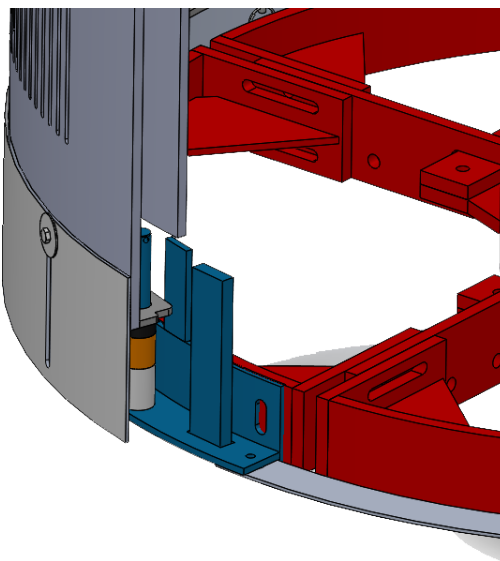
Each mounting frame can be field adjusted 3" in elevation - allowing a total of 6" of adjustment per elevation.

NOTE

Do not remove stainless steel bolt from frame



- After confirming the specified dimensions & the appropriate spacers are installed, the door is lowered onto the bottom hinge pin & the upper hinge pin installed with its appropriate spacers.
- The upper pin is retained using a safety clevis pin & the lower pin has a set screw collar.



ALLFASTENERS 

959 LAKE ROAD MEDINA, OHIO 44256
P (440) 232-6060 F (440) 232-6062
www.allfasteners.com

RAPTOR RADOME INSTALLATION INSTRUCTIONS

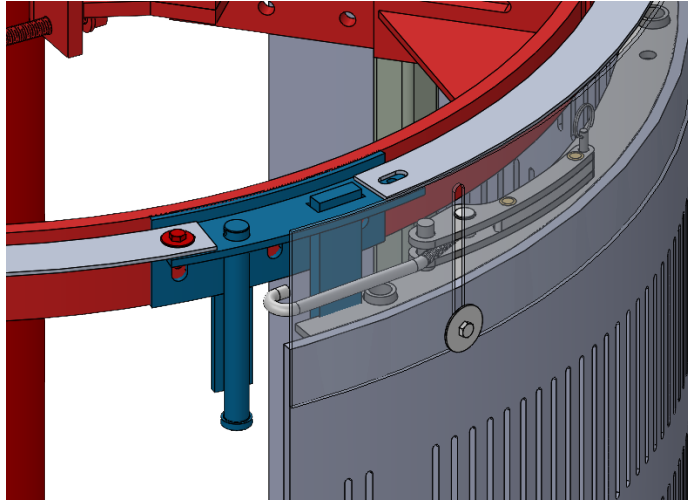
PART NUMBER: 14RR

ITEM NAME: RAPTOR RADOME CONCEALMENT CANISTER

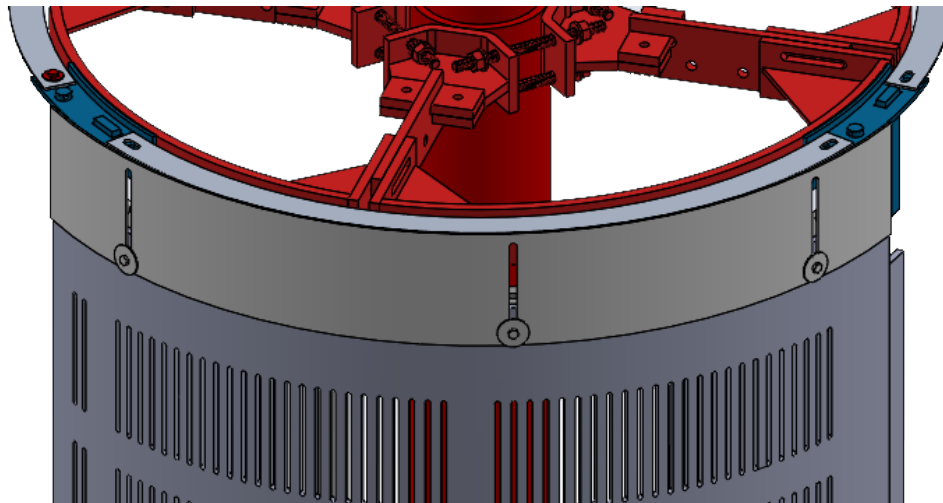
Users are advised to use this product strictly as intended by the manufacturer. Allfasteners disclaims all liability for any injury or damage resulting from the incorrect installation or use of this product. By using this product, users agree to hold Allfasteners harmless against any such claims.

INSTALLATION INSTRUCTIONS

- Each door can now be latched top & bottom.
- Adjust each latch so that is pulls tight & install the safety pin.



- Each door is supplied with two (2) attached latch covers that slide over latch assembly.
- Each latch cover attaches using three (3) integrated 1/4" bolts.



ALLFASTENERS 
959 LAKE ROAD MEDINA, OHIO 44256
P (440) 232-6060 F (440) 232-6062
www.allfasteners.com

RAPTOR RADOME INSTALLATION INSTRUCTIONS

PART NUMBER:	14RR
ITEM NAME:	RAPTOR RADOME CONCEALMENT CANISTER

Users are advised to use this product strictly as intended by the manufacturer. Allfasteners disclaims all liability for any injury or damage resulting from the incorrect installation or use of this product. By using this product, users agree to hold Allfasteners harmless against any such claims.

INSTALLATION INSTRUCTIONS

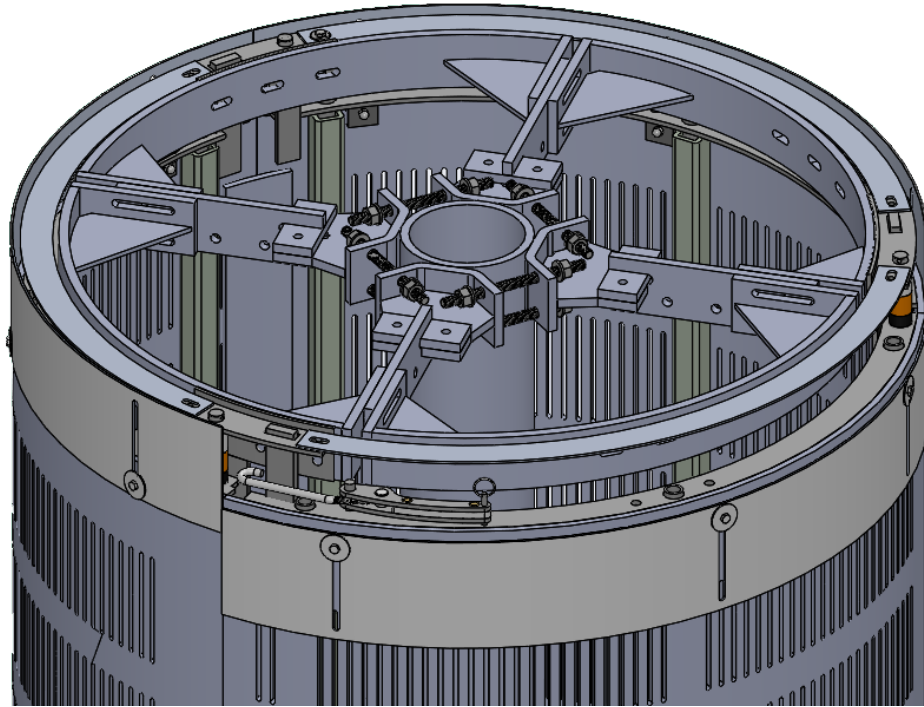


PHOTO NOTES:

Alternate view of slide over latch assembly.

ALLFASTENERS 
959 LAKE ROAD MEDINA, OHIO 44256
P (440) 232-6060 F (440) 232-6062
www.allfasteners.com

RAPTOR RADOME INSTALLATION INSTRUCTIONS

PART NUMBER:	14RR
ITEM NAME:	RAPTOR RADOME CONCEALMENT CANISTER

Users are advised to use this product strictly as intended by the manufacturer. Allfasteners disclaims all liability for any injury or damage resulting from the incorrect installation or use of this product. By using this product, users agree to hold Allfasteners harmless against any such claims.

MAINTENANCE

WARRANTY

WARRANTY PERIOD ON THIS SYSTEM - 12 MONTHS FROM DATE OF PURCHASE.

Warranty on a Raptor Radome Canister is for 12 months from date of purchase. Warranty does not include general wear and tear and is subject to approval/inspection by manufacturer.

Should you have a warranty claim as a result of a defect the following procedure must be followed:

Identify the following information:

- The product/system name and code number.
- The date of purchase/installation.
- Installation company details.
- The installation identification number.
- The name of the company using this system.
- A description of the defect/warranty claim.
- The periodic system maintenance report.

Forward the above information to sales@allfasteners.com or contact 888.859.6060.



959 LAKE ROAD MEDINA, OHIO 44256
P (440) 232-6060 F (440) 232-6062
www.allfasteners.com

RAPTOR RADOME INSTALLATION INSTRUCTIONS

PART NUMBER: 14RR

ITEM NAME: RAPTOR RADOME CONCEALMENT CANISTER

Users are advised to use this product strictly as intended by the manufacturer. Allfasteners disclaims all liability for any injury or damage resulting from the incorrect installation or use of this product. By using this product, users agree to hold Allfasteners harmless against any such claims.

DATE: 2026 ED.

PAGE: 7

PREP BY: AF



LOCATIONS NATIONWIDE

888.859.6060

SALES@ALLFASTENERS.COM

Users are advised to use this product strictly as intended by the manufacturer. Allfasteners disclaims all liability for any injury or damage resulting from the incorrect installation or use of this product. By using this product, users agree to hold Allfasteners harmless against any such claims.